

Specification Sheet

Decoline Pro RGBW 4-in-1

Project Name: _____
 Qty: _____
 Type: _____
 Part Number: _____

Certifications:



Description:

Decoline Pro RGBW 4-in-1 series is designed to support for projects requiring wall illumination with precise color changing effect. The RGBW 4-in-1 allows you to mix up to custom specific colors where the colored shadows are minimized. Similar to Decoline Static White series, the mounting accessories, the multiple optic designs, and anti-glare accessories can further support a variety of architecture designs. The AC version can support daisy chain connection to achieve longer run length.

Features:

Colour and Colour Temperature	RGBW with W in 3000K/4000K/6500K
Length (Normal)	410mm, 605mm, 900mm, 1190mm
Optics	15°, 25°, 35°, 50°

Power Consumption

DLP0314(30).15	RGBW (3000K)	15W	DLP0614(30).15	RGBW (3000K)	30W	DLP1214(30).15	RGBW (3000K)	60W
DLP0314(30).25	RGBW (3000K)	15W	DLP0614(30).25	RGBW (3000K)	30W	DLP1214(30).25	RGBW (3000K)	60W
DLP0314(30).35	RGBW (3000K)	15W	DLP0614(30).35	RGBW (3000K)	30W	DLP1214(30).35	RGBW (3000K)	60W
DLP0314(30).45	RGBW (3000K)	15W	DLP0614(30).50	RGBW (3000K)	30W	DLP1214(30).50	RGBW (3000K)	60W
DLP0314(40).20	RGBW (4000K)	15W	DLP0614(40).15	RGBW (4000K)	30W	DLP1214(40).15	RGBW (4000K)	60W
DLP0314(40).25	RGBW (4000K)	15W	DLP0614(40).25	RGBW (4000K)	30W	DLP1214(40).25	RGBW (4000K)	60W
DLP0314(40).35	RGBW (4000K)	15W	DLP0614(40).35	RGBW (4000K)	30W	DLP1214(40).35	RGBW (4000K)	60W
DLP0314(40).50	RGBW (4000K)	15W	DLP0614(40).50	RGBW (4000K)	30W	DLP1214(40).50	RGBW (4000K)	60W
DLP0314(65).15	RGBW (6500K)	15W	DLP0614(40).15	RGBW (6500K)	30W	DLP1214(40).15	RGBW (6500K)	60W
DLP0314(65).25	RGBW (6500K)	15W	DLP0614(40).25	RGBW (6500K)	30W	DLP1214(40).25	RGBW (6500K)	60W
DLP0314(65).35	RGBW (6500K)	15W	DLP0614(40).35	RGBW (6500K)	30W	DLP1214(40).35	RGBW (6500K)	60W
DLP0314(65).50	RGBW (6500K)	15W	DLP0614(40).50	RGBW (6500K)	30W	DLP1214(40).50	RGBW (6500K)	60W

Specification Sheet

Decoline Pro RGBW 4-in-1

Warranty 5-year limited warranty

Color Specifications

Color Rendering	N/A
Lumen Maintenance	L80B10 > 70,000hrs

Mechanical Specifications

Housing Material	6063 high density extruded aluminium alloy
Lens Material	Optical grade PMMA
Cover	Silk screen tempered glass
End Cap Material	Machined aluminum
Surface Finishing	Anodizing available in charcoal grey Powder coating available in Black (RAL 9011), White (RAL 9001), Grey (RAL 9006)

Electrical Specifications

Voltage	110V-277VAC 50/60Hz
Fixture Cable	Power and Data Combined Cable: 6pin IN OUT
Leading Cable Conductor	3 x 1.5mm ² (Power) + 3 x 0.3mm ² (Data)

Color and Color Temperatures



Parameter	Symbol	Values				Unit
		red	true green	deep blue	ultra white	
Dominant wavelength	(min.) λ_{dom}	620	521	449		nm
	(typ.) λ_{dom}	625	527	453		nm
	(max.) λ_{dom}	632	533	457		nm

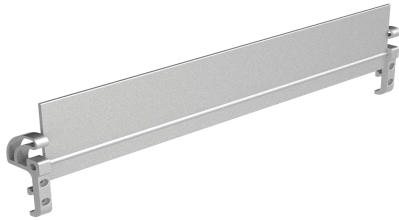
Remark: The given data of CCT, beam angles, lumen output, and electrical power are typical values. Due to the encapsulation of the fixture, the tolerances of the production process and the electrical components, the values can vary up to 10%. Please consult the factory to get IES file for more information.

2021 Q1 Edition 2/5

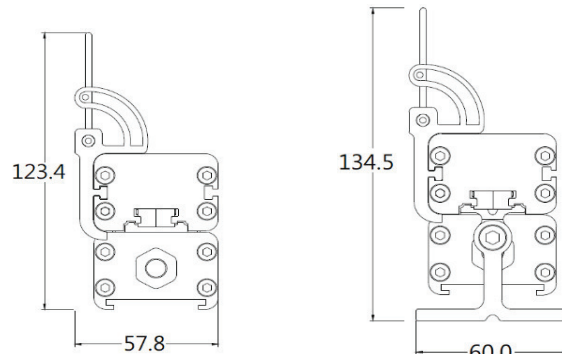
Specification Sheet

Decolight Pro RGBW 4-in-1

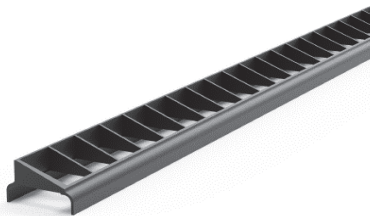
Anti-glare Accessories (order separately)



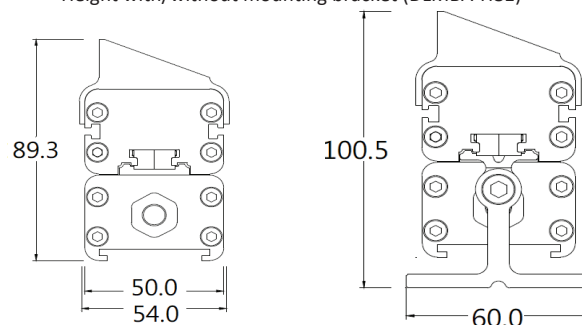
Item: DLGAS-313/605/1190
Anti-glare shield for Decolight



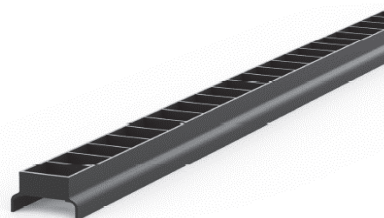
Height with/without mounting bracket (DLMBA-H81)



Item: DLGLA-410/605/1190-4IN1
Asymmetric anti-glare louver for Decolight

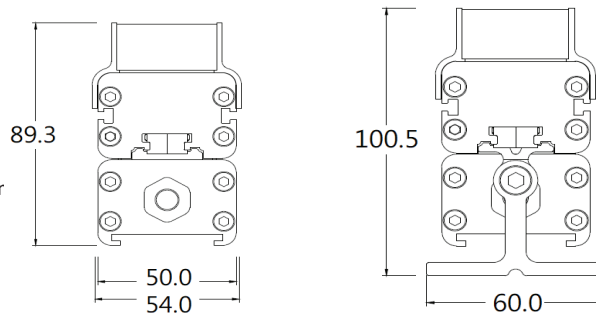


Height with/without mounting bracket (DLMBA-H81)



Item: DLGLS-410/605/1190-4IN1
Symmetric anti-glare louver for Decolight

n, 605mm, 900mm

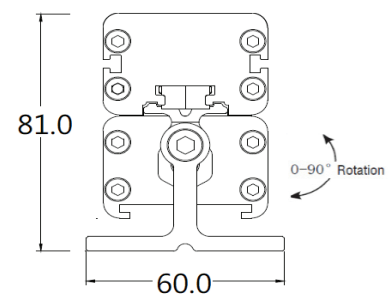
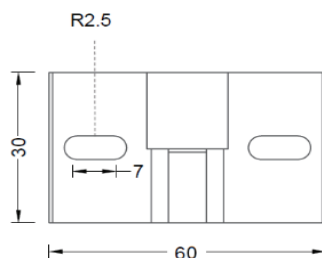


Height with/without mounting bracket (DLMBA-H81)



Item: DLMBA-H81

Description: DLMBA-H81 is an adjustable mounting option used for applications that require angle adjustments. It can rotate up to 180 degrees.









Specification Sheet

Decoline Pro RGBW 4-in-1

Cables (order separately)

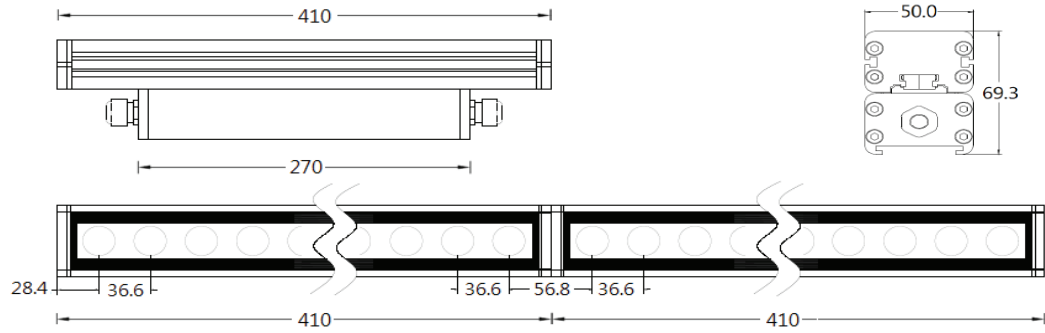
Noted: Extension power cable is used to lengthen lead in cables or cable between two fixtures in a daisy chain. As it adds voltage drops, please consult factory or refer to the wiring diagram regarding the impact on run length.

Part Number	Product Image	Length (mm)	Application	Cable end		Conductor size
ECACF-250-3pin-XX		250	Power Lead	Female	Bare	3 x 16AWG (1.5mm ²)
ECACF-2000-3pin-XX		2000				
ECDCF-6000-3pin-XX		6000				
ECDCF-15000-3pin-XX		15000				
ECDCF(Shield)-250		250	Data Lead	Female	Bare	3 x 22AWG Shield (0.3mm ²)
ECDCF(Shield)-2000		2000				
ECDCF(Shield)-6000		6000				
ECDCF(Shield)-15000		15000				
ECACF-250-6pin-XX		250	Power and Data Combined Lead	Female	Bare	3 x 16AWG (1.5mm ²) + 3 x 22AWG Shield (0.3mm ²)
ECACF-2000-6pin-XX		2000				
ECACF-6000-6pin-XX		6000				
ECACF-15000-6pin-XX		15000				
ECACL-003-6pin-XX		300	Power and Data Combined Extension Cable	Female	Male	3 x 22AWG Shield (0.3mm ²)
ECACL-020-6pin-XX		2000				
ECACL-060-6pin-XX		6000				
DMX-TER-AC-6pin-M		N/A	DMX Terminator	Male	End Cap	
AC-LEADIN-T336		N/A	T-connector for DMX and Power Lead	Combines the power (3 pin male), DMX signal (3 pin male) into a 6 pin female leading end		
AC-P-INJECT-T636			T connector for the 6 pin cable with power injector	T connector 6-pin male to 6-pin female with AC male power injector		

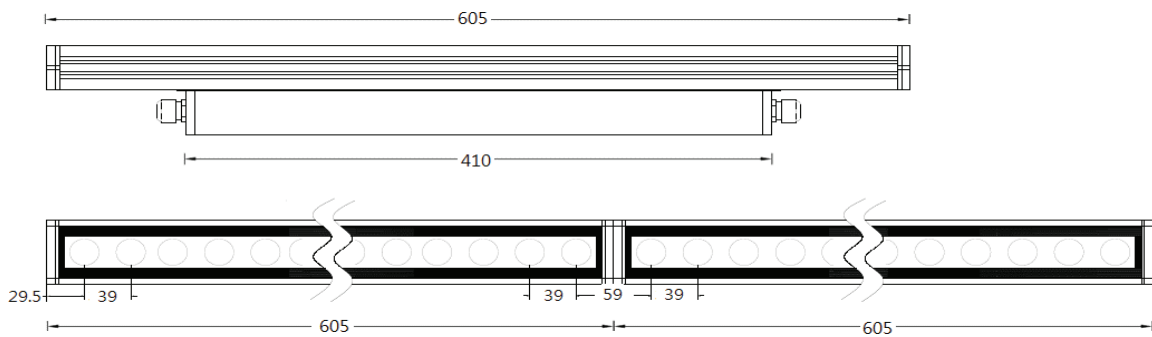
Remark: where xx represents the area code for the cable: EU stands for Europe standard and US strats for USA standard

Dimension

DLP 04



DLP 06



DLP 12

